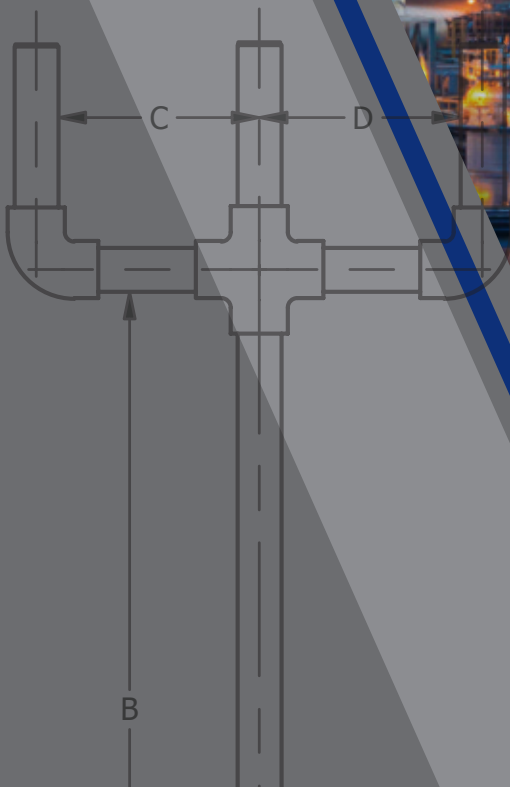


INSTRUMENT STANDS

& ACCESSORIES



composites
enduro

LASTING SOLUTIONS *for*
CHALLENGING CONDITIONS

enduro composites

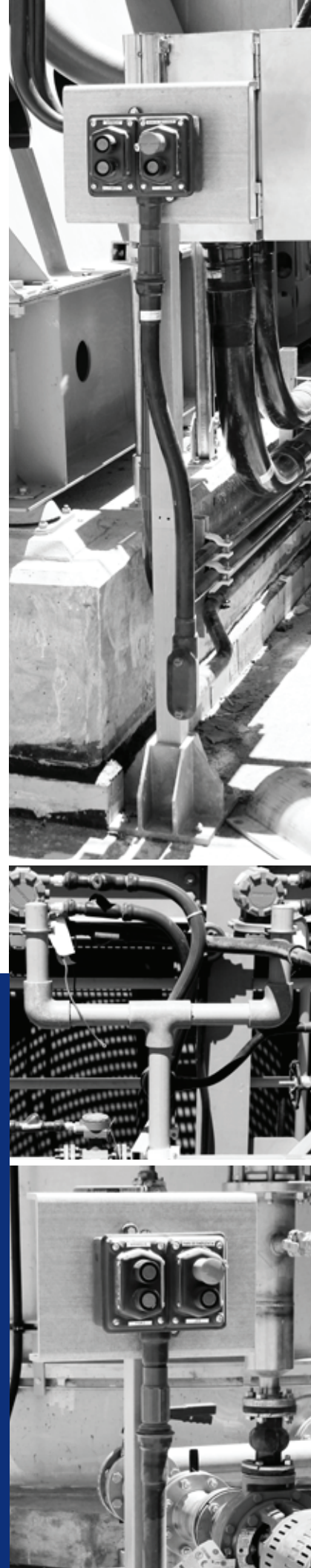
More corrosion resistant than stainless steel or galvanized instrumentation stands, Enduro's universal fiberglass instrumentation stands are a cost-effective alternative for challenging environments by eliminating the high cost of maintenance, equipment replacement, and associated downtime.

Enduro electrical instrumentation stands offer many of the same benefits as our cable tray, wireway, and strut systems. Thanks to their durability, exceptional strength, and reliability, our stands are best suited to:

- ▶ Support electrical instruments in demanding environments
- ▶ Support switch station stands or racks
- ▶ Compatible with metallic post bases and metallic support structures
- ▶ Available in full assembly or component parts

Enduro instrumentation stands come in a variety of sizes, configurations, and mounting options, each offers high quality and innovative features, such as:

- Proven performance compared to stainless steel
- Single, double post, or triple post available
- Easy field installation
- Cost effective compared to stainless steel
- Fast assembly time & design freedom
- Superior construction
- Corrosion resistant
- Lightweight

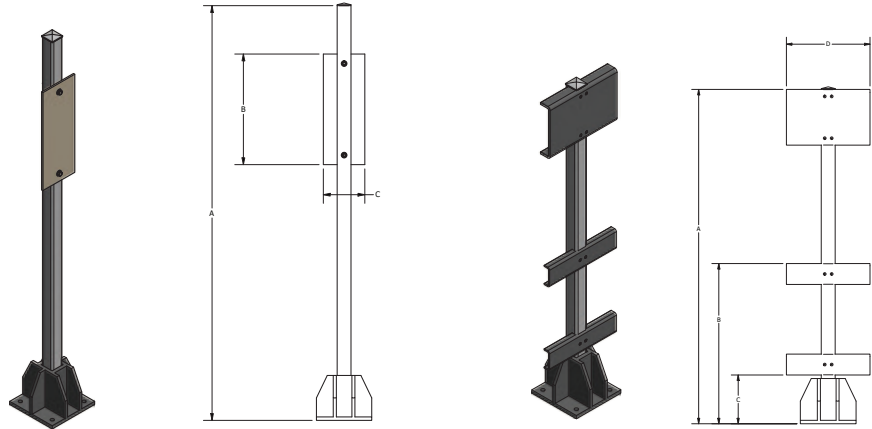


Enduro instrumentation and push-button stands are built to almost any configuration including single, double, or triple arms, various mountings, and large panel design for switch rack stations.

FRP INSTRUMENTATION & PUSHBUTTON STANDS

Pushbutton Stations

are made with pultruded FRP 2" square tube and compression molded connectors and 8" square base. Standard control panels are FRP flat plate with option for 10" FRP channel.



Push Button Floor Stand

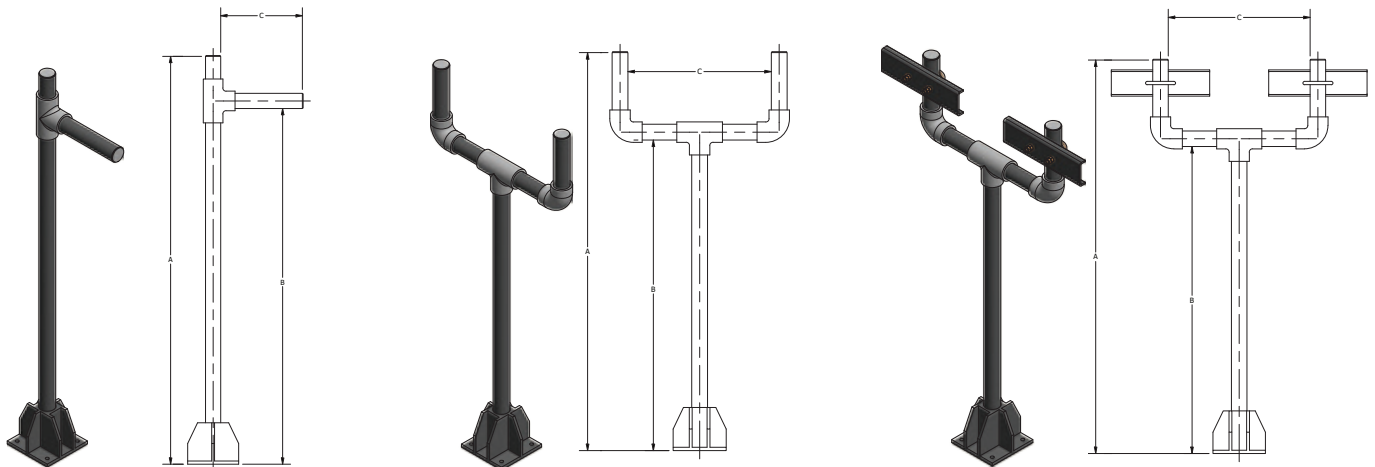
PBFLS x A x B x C

Push Button w/ Channel

PBC x A x B x C x D

Instrumentation Stands

are made with pultruded FRP round tube and compression molded connectors and 8" square base.



Floor Stand Single

FLS1 x A x B x C

Floor Stand Double

FLS2 x A x B x C

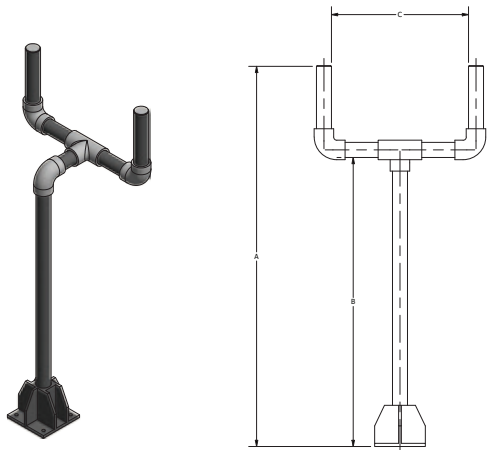
Floor Stand Double w/ Channel

FLS2C x A x B x C

FLOOR STAND SIZES (inches)

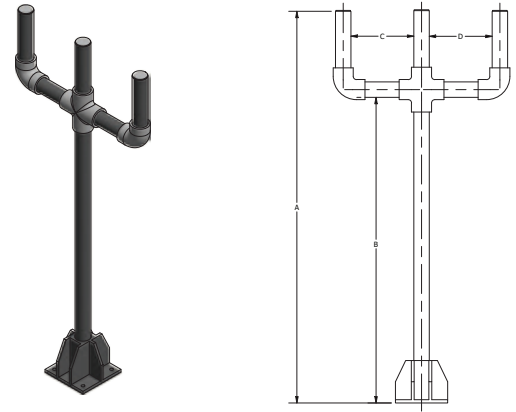
CUSTOM SIZES AVAILABLE. Contact factory.

DESCRIPTION	CATALOG PART #	A	B	C	D
Push Button Floor Stand	PBFLS x A x B x C	48 60	16	6	—
Push Button w/ Channel	PBC x A x B x C x D	48 60	23	7	12
Floor Stand Single	FLS1 x A x B x C	48 60	48 52	13	—
Floor Stand Double	FLS2 x A x B x C	48 60	36 48	18 24	—
Floor Stand Double w/ Channel	FLS2C x A x B x C	48 60	36 48	18 24	—



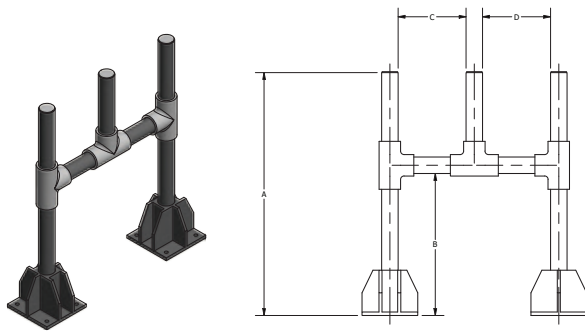
Floor Stand Double Forward

FLS2F x A x B x C x D



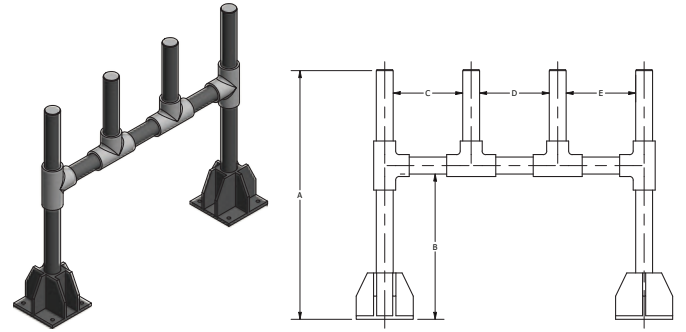
Floor Stand Triple

FLS3 x A x B x C x D



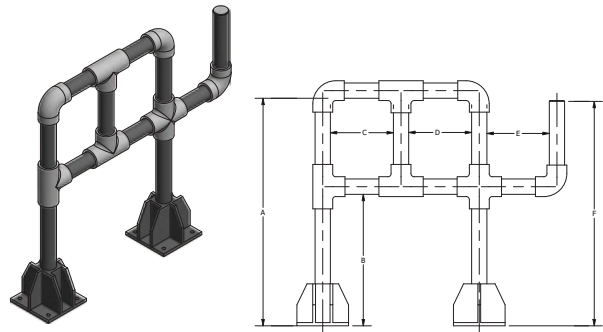
Floor Stand Triple w/ 2 bases

FLS32 x A x B x C x D



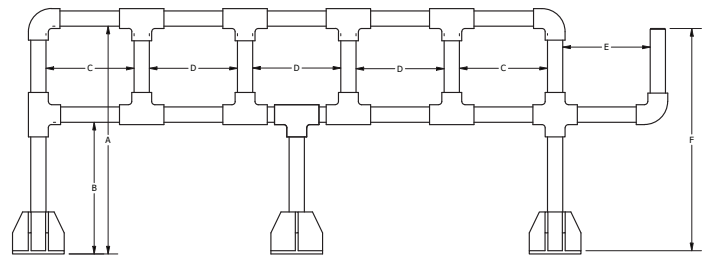
Floor Stand Quad w/ 2 bases

FLS42 x A x B x C x D



Floor Stand 2 +1

FLS21 x A x B x C x D x E x F



Floor Stand 5 +1

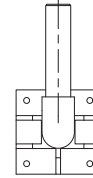
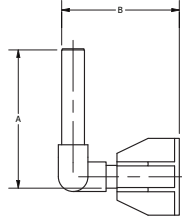
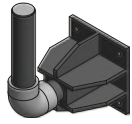
FLS51 x A x B x C x D x E x F

FLOOR STAND SIZES (inches)

* CUSTOM SIZES AVAILABLE. Contact factory.

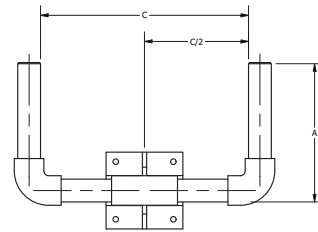
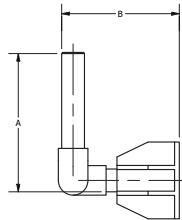
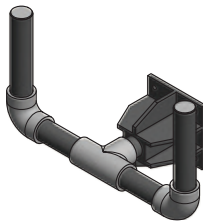
DESCRIPTION	CATALOG PART #	A	B	C	D	E	F
Floor Stand Double Forward	FLS2F x A x B x C x D	48 60	36 48	18 24	*	—	—
Floor Stand Triple	FLS3 x A x B x C x D	48 60	36 48	12	12	—	—
Floor Stand Triple w/ 2 bases	FLS32 x A x B x C x D	48 60	36 48	12	12	—	—
Floor Stand Quad w/ 2 bases	FLS42 x A x B x C x D	48 60	36 48	12	12	12	—
Floor Stand 2 +1	FLS21 x A x B x C x D x E x F	50	35	16	16	16	48
Floor Stand 5 +1	FLS51 x A x B x C x D x E x F	50	35	16	16	16	48

Floor Stands and **Wall Mounts** are made with pultruded FRP 2" round tube and compression molded connectors and 8" square base.



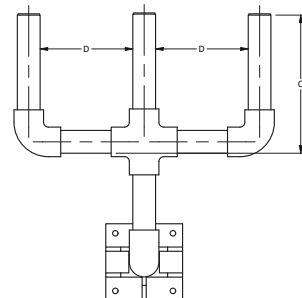
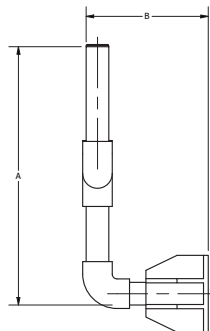
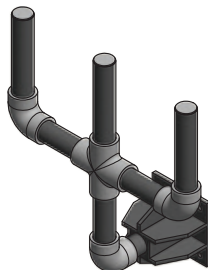
Wall Mount Single

WM1 x A x B



Wall Mount Double

WM2 x A x B x C



Wall Mount Triple

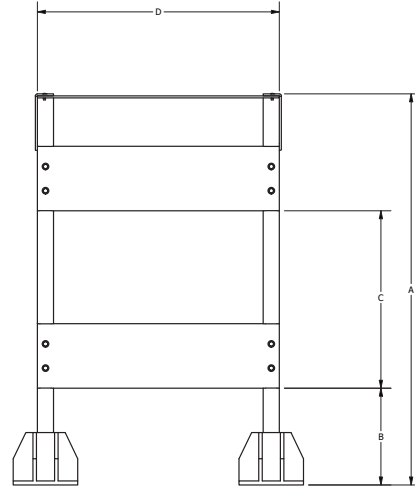
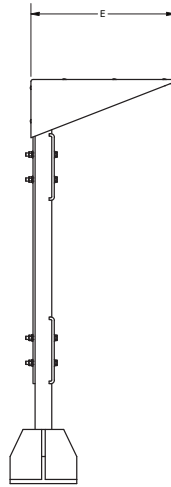
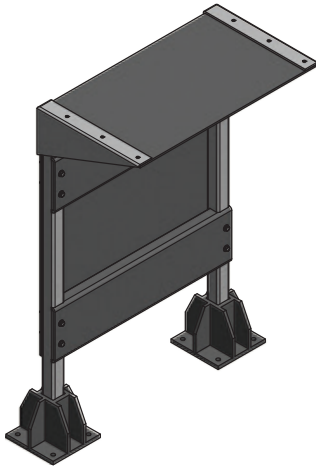
WM3 x A x B x C

WALL MOUNT SIZES (inches)

CUSTOM SIZES AVAILABLE. Contact factory.

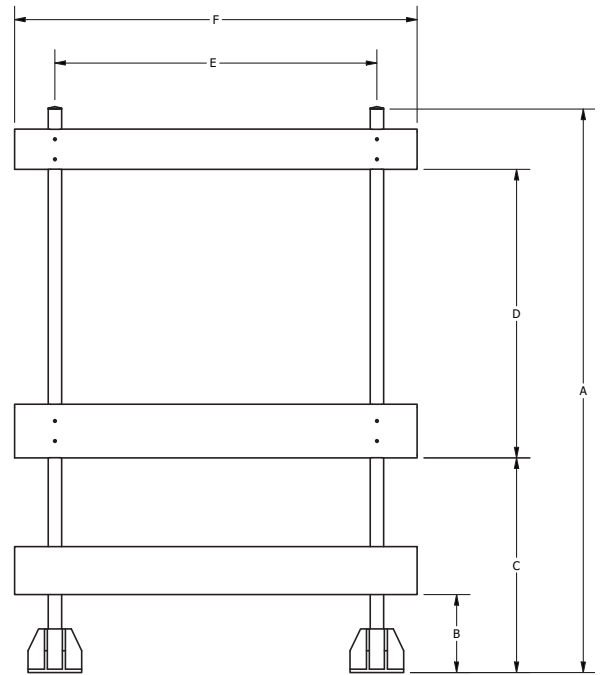
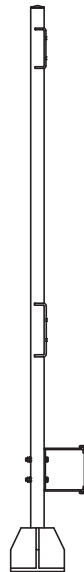
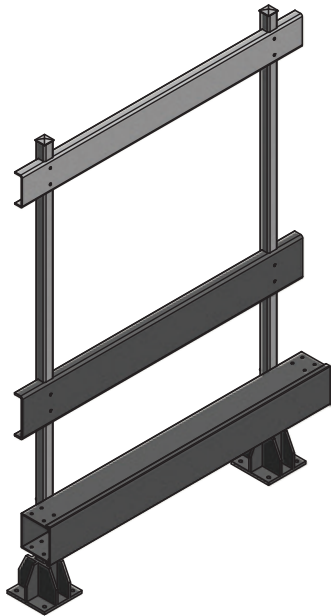
DESCRIPTION	CATALOG PART #	A	B	C
Wall Mount Single	WM1 x A x B	12 18	12	—
Wall Mount Double	WM2 x A x B x C	12 18	12	18 24
Wall Mount Triple	WM3 x A x B x C	24	12	12

Switchracks are made with pultruded FRP 2" square tube and compression molded connectors and 8" square base.



Switchrack Covered

SWRC x A x B x C x D x E



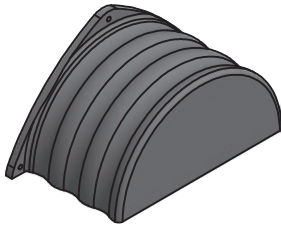
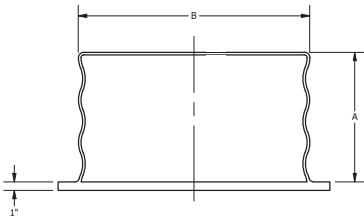
Switchrack w/ Wireway

SWR x A x B x C x D x E x F

SWITCHRACK SIZES (inches)

* CUSTOM SIZES AVAILABLE. Contact factory.

DESCRIPTION	CATALOG PART #	A	B	C	D	E	F
Switchrack Covered	SWRC x A x B x C x D x E	48 60	12	20	30	17	—
Switchrack w/ Wireway	SWR x A x B x C x D x E x F	84	12	30	37	52	60



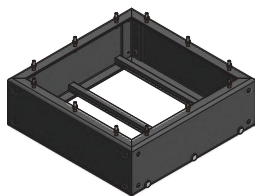
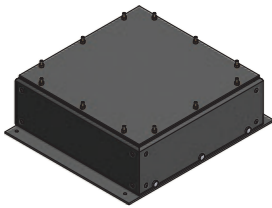
Hose Rack

Hose Rack

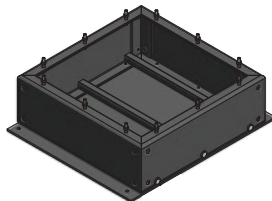
Colors available:
 • Fire Hose Red
 • Service Hose Green

HOSE RACK SIZES (inches)

CATALOG PART #	A	B
HOSE RACK	16 1/8	31 3/4



NO COVER
NO FLOOR



NO COVER

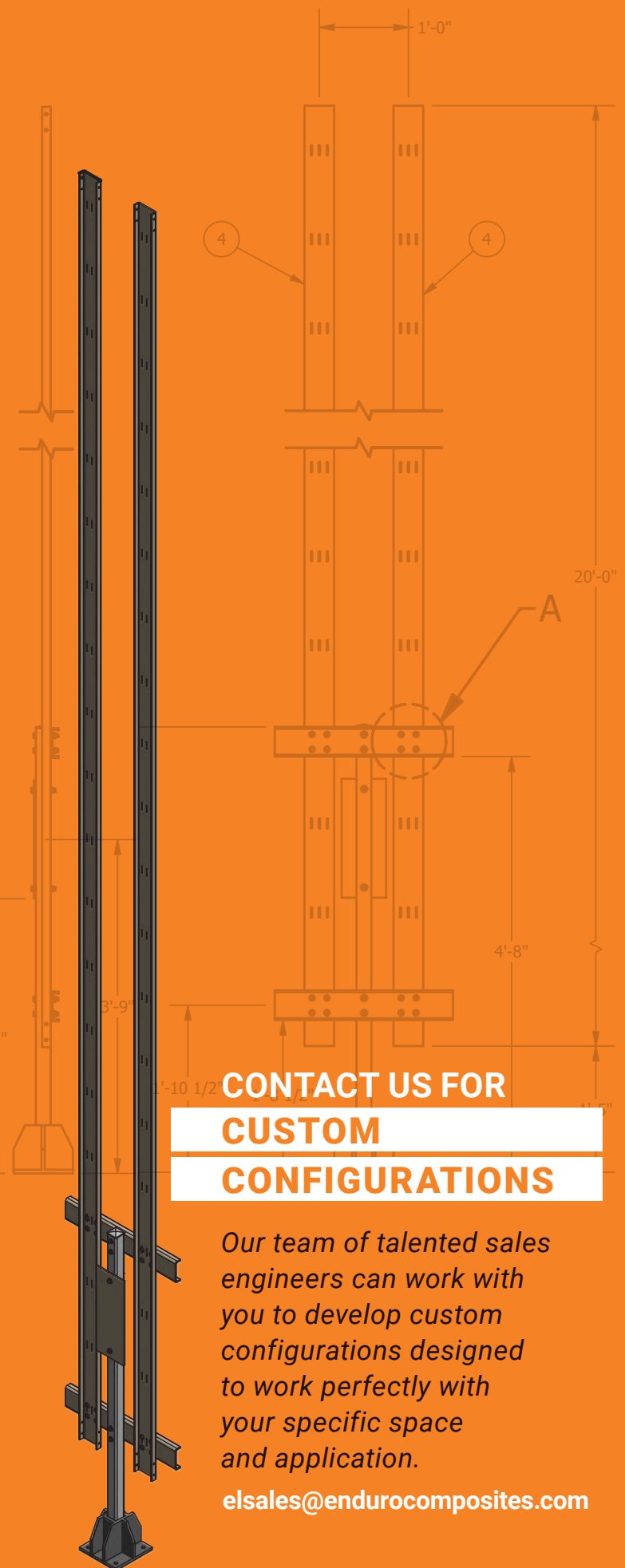
Enclosure 1' x 1' or 2' x 2'

ENCL1x1
 ENCL2x2

ENCLOSURE SIZES (inches)

CATALOG PART #	A	B
ENCL1x1 x AxB	12	12
ENCL2x2 x AxB	24	24

CUSTOM SIZES AVAILABLE. Contact factory.



**CONTACT US FOR
 CUSTOM
 CONFIGURATIONS**

Our team of talented sales engineers can work with you to develop custom configurations designed to work perfectly with your specific space and application.

elsales@endurocomposites.com

enduro composites

elsales@endurocomposites.com

16602 Central Green Boulevard
Houston, TX 77032

800.231.7271



endurocomposites.com