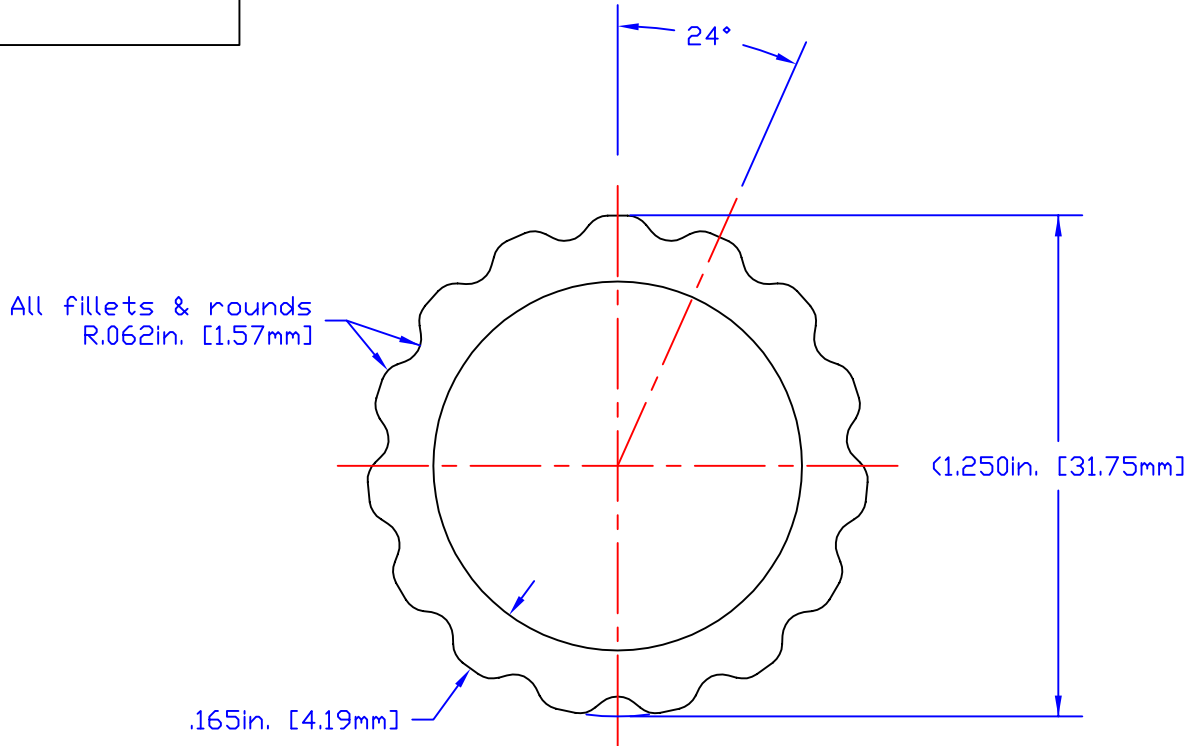



Full Scale



2X Scale

Note: Dimensional tolerances per ASTM D3917

Imperial Units			Metric Units				Part Description:	
Cross Section Properties			Cross Section Properties				Fully Fluted Ladder Rung	
Area	.486	in ²	Area	3.136E+02	mm ²	Part Number:		
I _x	.071	in ⁴	I _x	2.955E+04	mm ⁴	Pultex® LR401		
I _y	.071	in ⁴	I _y	2.955E+04	mm ⁴	Units:	Scale:	
I _{xy}	0	in ⁴	I _{xy}	0	mm ⁴	Imperial/Metric	Full	
S _x	.114	in ³	S _x	1.868E+03	mm ³			CREATIVE PULTRUSIONS INC. 214 Industrial Lane Alum Bank, Pennsylvania 15521 www.creativepultrusions.com (814) 839-4186 (888) CPI-PULL
S _y	.114	in ³	S _y	1.868E+03	mm ³	All information herein for reference only		
r _x	.381	in	r _x	9.677E+00	mm			
r _y	.381	in	r _y	9.677E+00	mm			