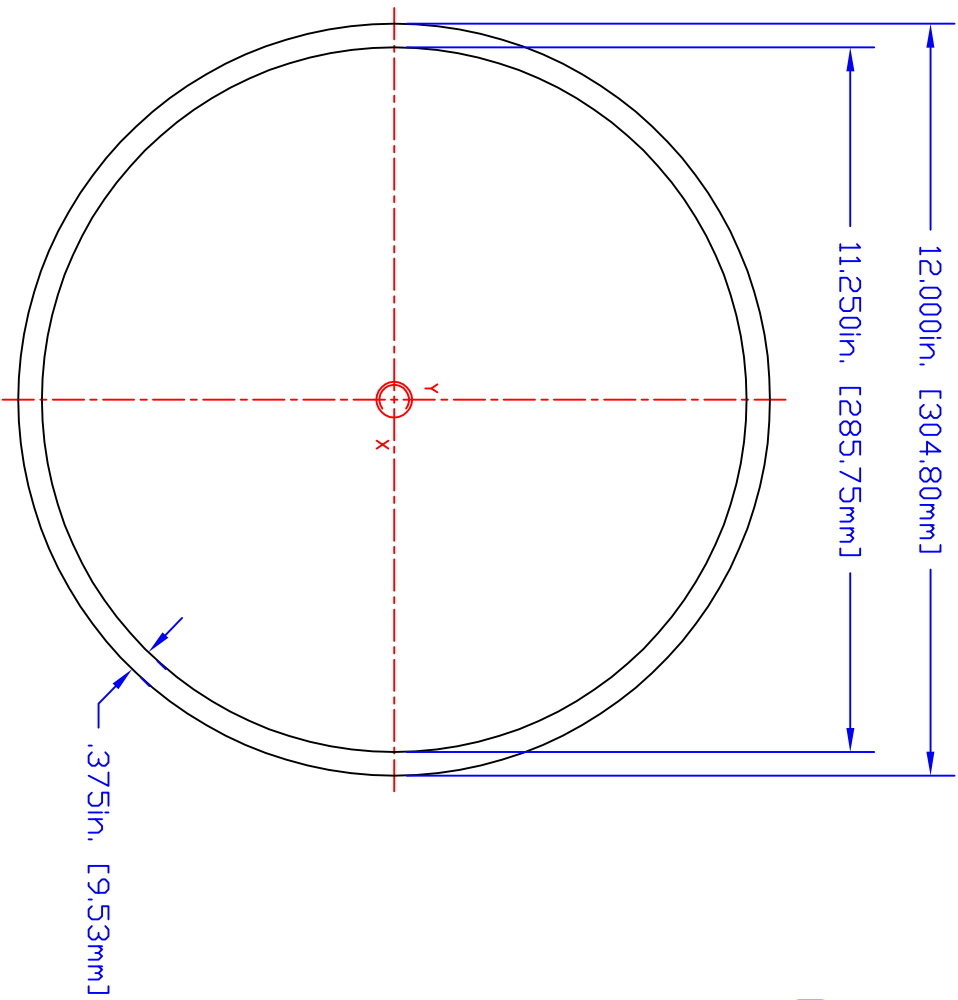


SUPERPILE®



Note: Dimensional tolerances per ASTM D3917

Imperial Units		Metric Units	
Cross Section Properties		Cross Section Properties	
Area	13.695 in ²	Area	8.836E+03 mm ²
I _x	231.591 in ⁴	I _x	9.640E+07 mm ⁴
I _y	231.591 in ⁴	I _y	9.640E+07 mm ⁴
I _{xy}	0 in ⁴	I _{xy}	0 mm ⁴
S _x	38.599 in ³	S _x	6.325E+05 mm ³
S _y	38.599 in ³	S _y	6.325E+05 mm ³
r _x	4.112 in	r _x	1.044E+02 mm
r _y	4.112 in	r _y	1.044E+02 mm



Part Description:
 Part Number: TU445
 Units: Imperial/Metric
 Scale: Full

CREATIVE PULTRUSIONS INC.
 214 Industrial Lane
 Alum Bank, Pennsylvania 15521
 www.creativepultrusions.com
 (814) 839-4186 (888) CPI-PULL

All information herein for reference only