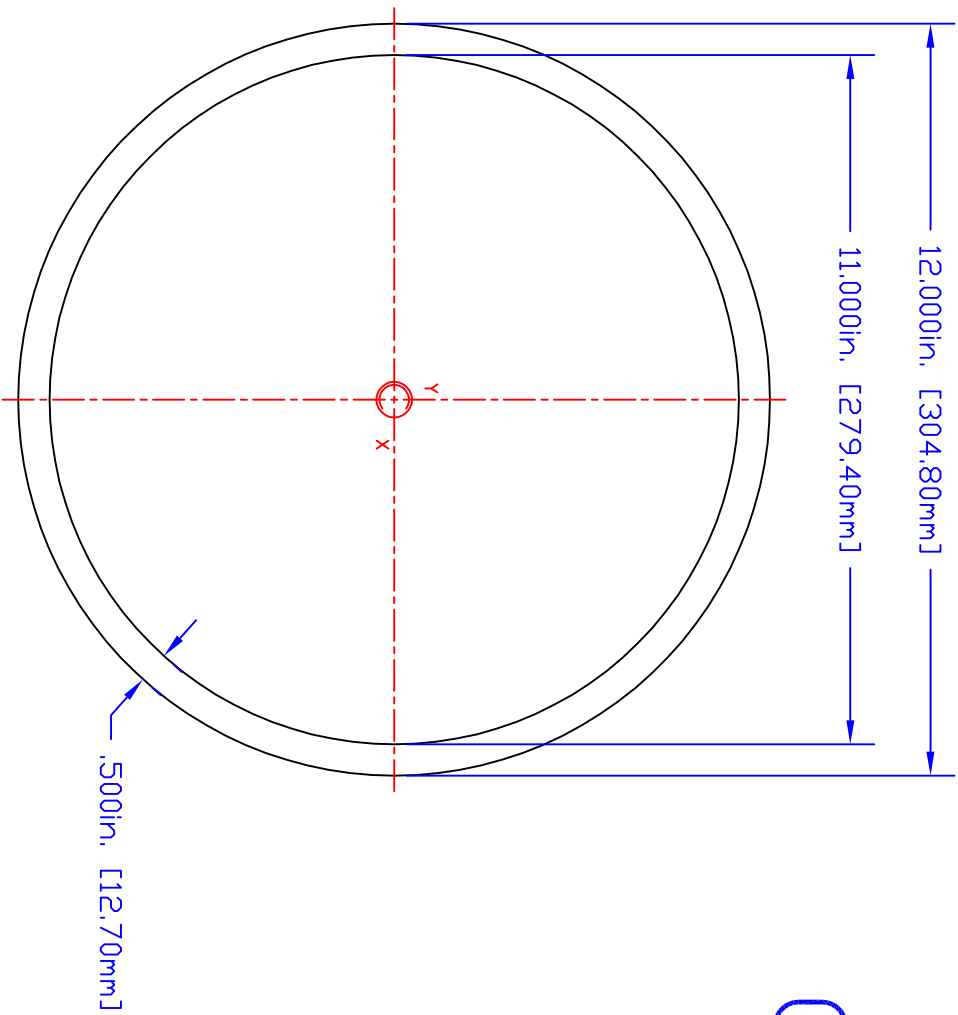


SUPERPILE®



Note: Dimensional tolerances per ASTM D3917

Imperial Units			Metric Units		
Cross Section Properties			Cross Section Properties		
Area	18.064	in ²	Area	1.165E+04	mm ²
I _x	299.188	in ⁴	I _x	1.245E+08	mm ⁴
I _y	299.188	in ⁴	I _y	1.245E+08	mm ⁴
I _{xy}	0	in ⁴	I _{xy}	0	mm ⁴
S _x	49.865	in ³	S _x	8.171E+05	mm ³
S _y	49.865	in ³	S _y	8.171E+05	mm ³
r _x	4.070	in	r _x	1.034E+02	mm
r _y	4.070	in	r _y	1.034E+02	mm



CREATIVE PULTRUSIONS INC.
 214 Industrial Lane
 Alum Bank, Pennsylvania 15521
 www.creativepultrusions.com
 (814) 839-4186 (888) CPI-PULL

Part Description:		Units:	Scale:
ø12 x 1/2" (wall) Round Tube		Imperial/Metric	Full
Part Number:		TU450	

All information herein for reference only