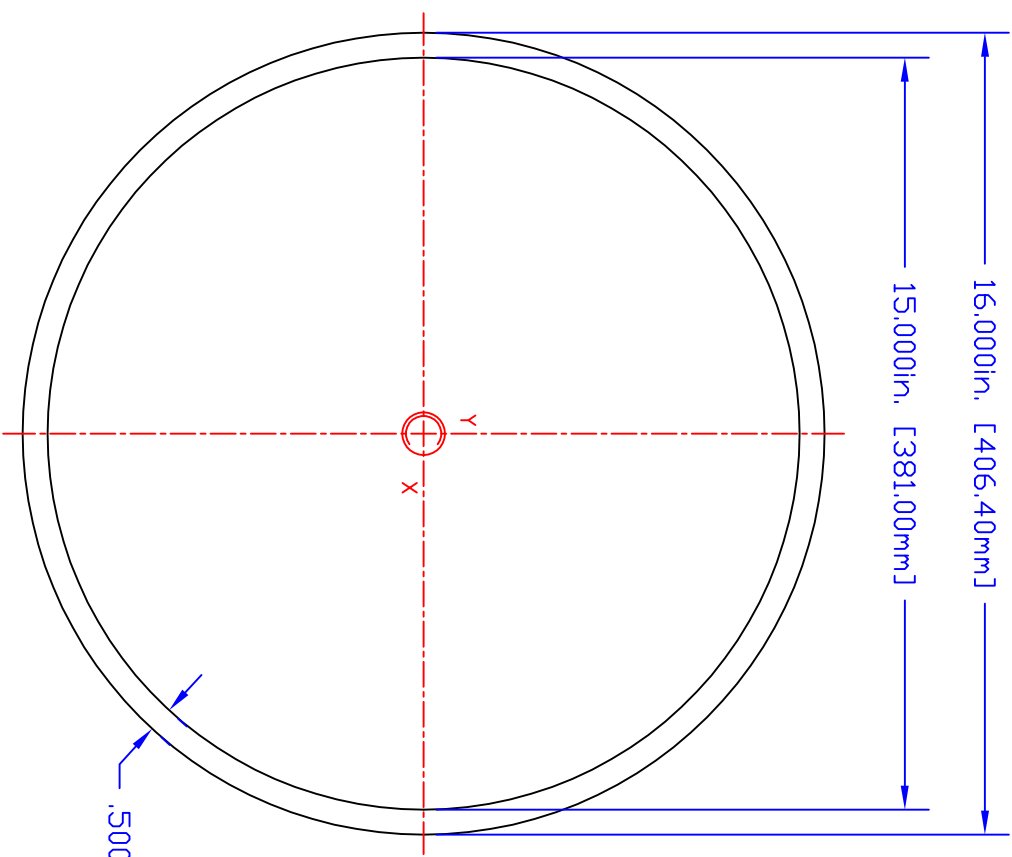


**SUPERPILE®**



Note: Dimensional tolerances per ASTM D3917

Imperial Units		Metric Units	
Cross Section Properties		Cross Section Properties	
Area	24.347 in <sup>2</sup>	Area	1.571E+04 mm <sup>2</sup>
I <sub>x</sub>	731.942 in <sup>4</sup>	I <sub>x</sub>	3.047E+08 mm <sup>4</sup>
I <sub>y</sub>	731.942 in <sup>4</sup>	I <sub>y</sub>	3.047E+08 mm <sup>4</sup>
I <sub>xy</sub>	0 in <sup>4</sup>	I <sub>xy</sub>	0 mm <sup>4</sup>
S <sub>x</sub>	91.493 in <sup>3</sup>	S <sub>x</sub>	1.499E+06 mm <sup>3</sup>
S <sub>y</sub>	91.493 in <sup>3</sup>	S <sub>y</sub>	1.499E+06 mm <sup>3</sup>
r <sub>x</sub>	5.483 in	r <sub>x</sub>	1.393E+02 mm
r <sub>y</sub>	5.483 in	r <sub>y</sub>	1.393E+02 mm



CREATIVE PULTRUSIONS INC.  
 214 Industrial Lane  
 Alum Bank, Pennsylvania 15521  
 www.creativepultrusions.com  
 (814) 839-4186 (888) CPI-PULL

Part Description:		Part Number:	Units:	Scale:
ø16 x 1/2" (wall) Round Tube		TU460	Imperial/Metric	Full

All information herein for reference only